



**PRODUCT NAME** : L7824 voltage regulator

**PRICE** : Rs 15.00

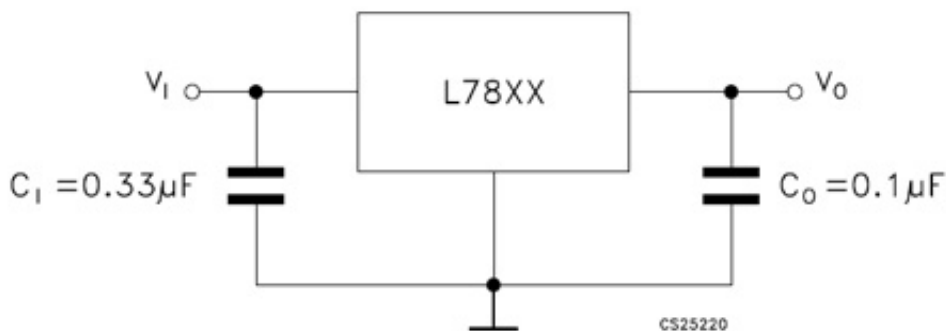
**SKU** : RM0054



## DESCRIPTION

**L7806/LM7806 Voltage Regulator** is a **24V voltage regulator** that can provide local on-card regulation, eliminating the distribution problems associated with single point regulation. Each type employs internal current limiting, thermal shut-down and safe area protection, making it essentially indestructible. If adequate heat sinking is provided, they can deliver over 1.5 A output current. Although designed primarily as fixed voltage regulators, these devices can be used with external components to obtain adjustable voltage and currents.

## Images/Pinout of L7824/LM7824 Voltage Regulators



## Features of L7824/LM7824 Voltage Regulators:

- Output voltage: **24V**.
- Max input voltage: **35V**.
- Max output current: **1.5A**.
- Quiescent (standby) current: **5mA**.

## Applications of L7824/LM7824 Voltage Regulators:

- Circuits requiring steady 24v supply.
- Protection for devices having specific voltage sensitivity.
- DIY projects requiring specific voltage from an existing higher/ varying voltage supply.

Also Searched as : **l7824 datasheet, ic 7824 datasheet, l7824 pinout, l7824cv datasheet, 7824 regulator ic, 7824 price, 7824 regulator circuit, l7824cv arduino, 7824 max input voltage, 7824 heatsink.**