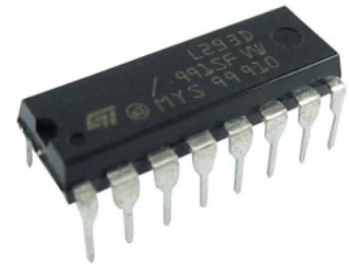




PRODUCT NAME : L293D Dual H- Bridge
Motor Driver IC

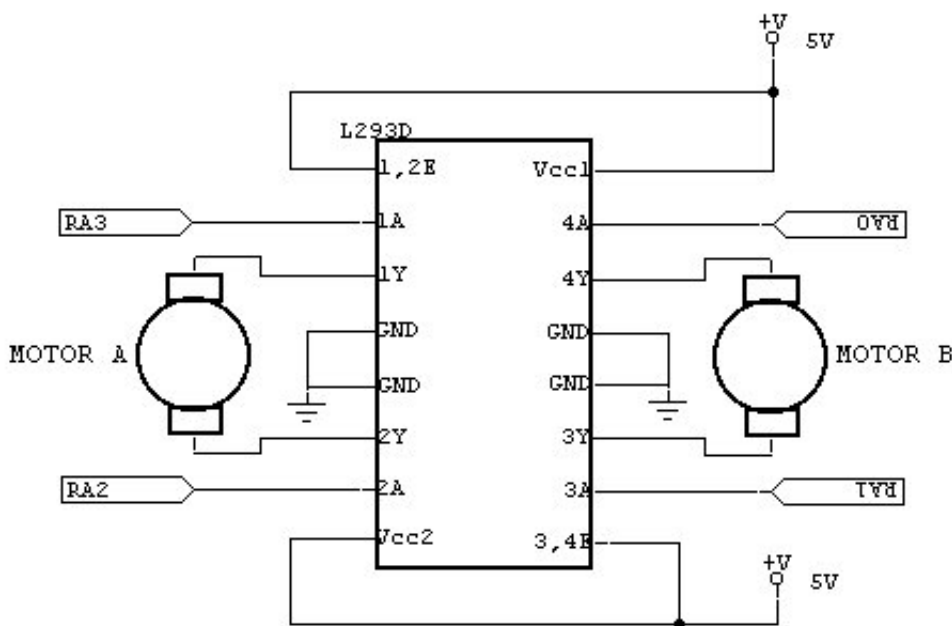
PRICE : Rs 45.00
SKU : RM0055

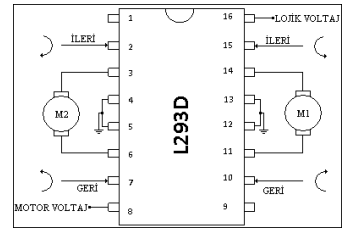


DESCRIPTION

L293D is quadruple **high-current half-H driver**.The L293 is designed to provide bidirectional drive currents of up to 1 A at voltages from 4.5 V to 36 V. The L293D is designed to provide bidirectional drive currents of up to 600-mA at voltages from 4.5 V to 36 V. Both devices are designed to drive inductive loads such as relays, solenoids, dc and bipolar stepping motors, as well as other high-current/high-voltage loads in positive-supply applications. All inputs are TTL compatible. Each output is a complete totem-pole drive circuit, with a Darlington transistor sink and a pseudo Darlington source. Drivers are enabled in pairs, with drivers 1 and 2 enabled by 1, 2 EN and drivers 3 and 4 enabled by 3, 4 EN. When an enable input is high, the associated drivers are enabled, and their outputs are active and in phase with their inputs. When the enable input is low, those drivers are disabled, and their outputs are off and in the high-impedance state. With the proper data inputs, each pair of drivers forms a full - H (or bridge) reversible drive suitable for solenoid or motor applications.

Images/Pinout of L293D Dual H- Bridge Motor Driver IC





Features of L293D Dual H- Bridge Motor Driver IC:

- Wide Supply-Voltage Range: **4.5 V to 36 V**.
- Separate Input-Logic Supply.
- Internal ESD Protection.
- Thermal Shutdown.
- High-Noise-Immunity Inputs.
- Output Current 1 A Per Channel (**600 mA for L293D**).
- Peak Output Current 2 A Per Channel (**1.2 A for L293D**).
- Output Clamp Diodes for Inductive Transient Suppression (L293D).

Applications of L293D Dual H- Bridge Motor Driver IC:

- High Current Motor Driver IC.
- Dual H-bridge for controlling up to two motors at a time.
- Ideal for Inductive load de coupling from the main/control unit.
- Wide voltage range allows for an adaptive voltage range control.

Also Searched as : **I293d driver ic, I293d motor driver ic, I293d high bridge motor driver ic, I7824cv datasheet, I293d ic, I293d dual motor driver ic, I293d motor driver, I293d dc motor driver ic, I293d motor driver circuit, I293d circuit, I293d motor driver arduino, I293d h bridge, I293dne motor driver, I293d stepper motor driver ic, I293d stepper motor circuit, how to use I293d motor driver ic.**