



PRODUCT NAME : LM317 3-Terminal Adjustable Linear Voltage Regulator

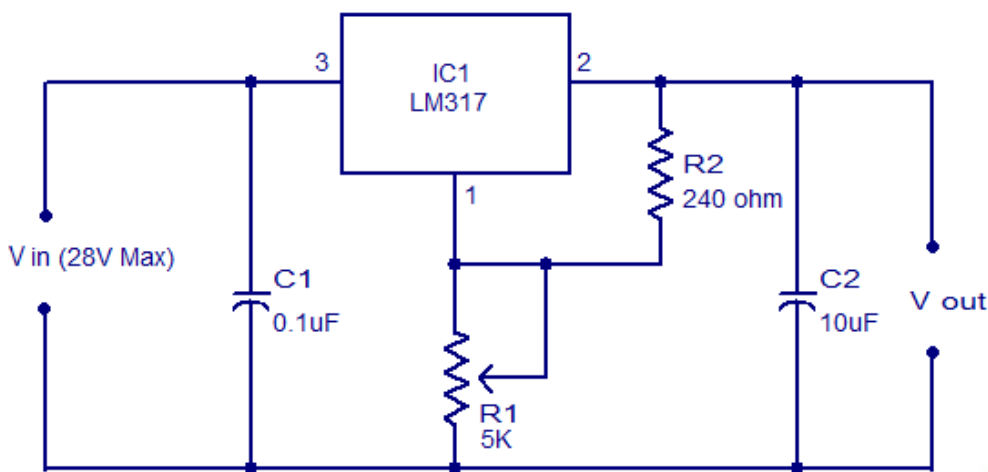
PRICE : Rs 25.00
SKU : RM0057



DESCRIPTION

The **LM317 3-Terminal Adjustable Linear Voltage Regulator** used in DC to DC converter applications. The overall function of the LM317 is similar to that of the LM78xx series regulators. Whereas the 78xx series of regulators have fixed output voltages (ex. 7805 has 5V output), the LM317 can be adjusted to any voltage (within its limits).

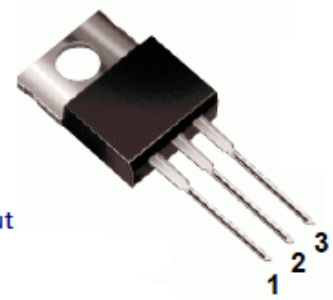
Images/Pinout of LM317 3-Terminal Adjustable Linear Voltage Regulator



Typical adjustable regulator using LM317 www.circuitstoday.com

$$V_{out} = 1.25V (1 + (R2/R1)) + (I_{adj} \times R2)$$

LM317 Pin Arrangement



- 1. Adjust
 - 2. Vout
 - 3. Vin
- Heatsink is connected to pin 2

Features of LM317 3-Terminal Adjustable Linear Voltage Regulator

- Output-Current In Excess of **1.5 A**.
- Output-Adjustable Between **1.2 V and 37 V**.
- Internal Thermal Overload Protection.
- Internal Short-Circuit Current Limiting.
- Output-Transistor Safe Operating Area Compensation .

Applications of LM317 3-Terminal Adjustable Linear Voltage Regulator

- Circuits requiring steady supply within 1.2v to 37v
- Protection for devices having specific voltage sensitivity.
- Power Bank Solutions.
- Power Line Communication Modem.
- Power Over Ethernet (PoE).
- Power Quality Meter.
- Power Substation Control.
- Private Branch Exchange (PBX).
- Programmable Logic Controller.
- RFID Reader.
- DIY projects requiring specific voltage from an existing higher/ varying voltage supply.

Also Searched as : **lm317, lm317 voltage regulator, lm317 ic, lm317 datasheet, lm317 circuit, lm317 pinout, lm317 voltage regulator circuit, lm317 regulator, lm317 current regulator, lm317 adjustable voltage regulator, lm317 regulator circuit, lm317 dropout voltage, lm317 linear voltage regulator, lm317 3-terminal voltage regulator, dc voltage regulator, how to use lm317 voltage regulator.**