



**PRODUCT NAME :** HT9170B DTMF Receive

r

**PRICE :** Rs 30.00

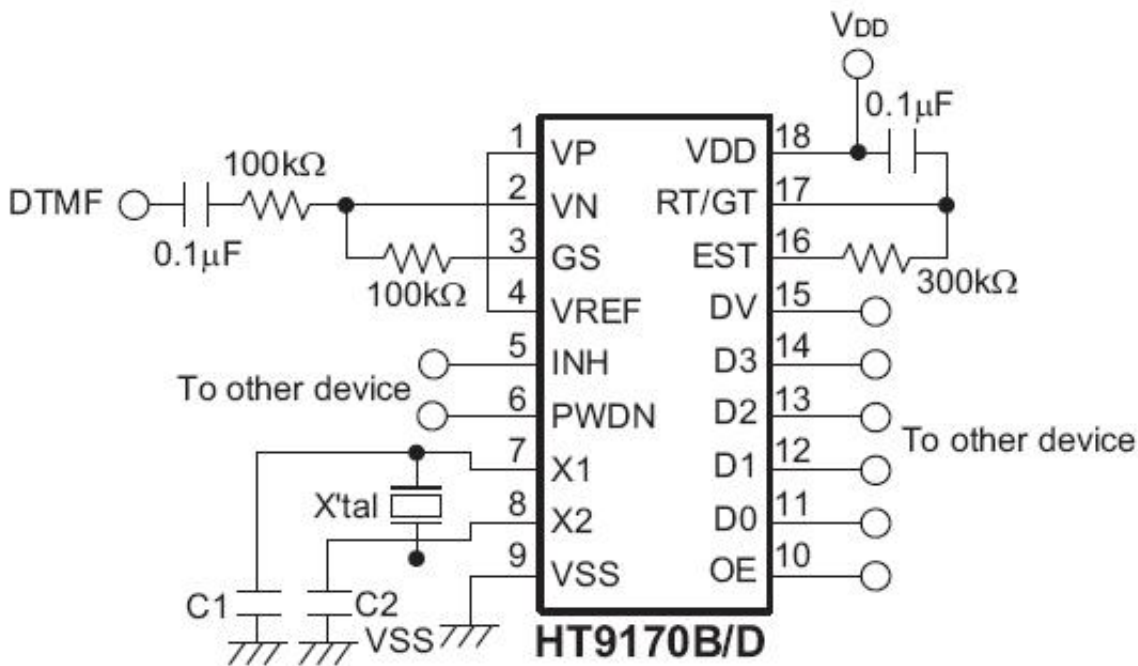
**SKU :** RM0059



**DESCRIPTION**

The **HT9170B/D** are **Dual Tone Multi Frequency (DTMF)** receivers integrated with digital decoder and bandsplit filter functions as well as power-down mode and inhibit mode operations. Such devices use digital counting techniques to detect and decode all the 16 DTMF tonepairs into a 4-bit code output.

**Images/Pinout of HT9170B DTMF Receiver**



**Features of HT9170B DTMF Receiver**

- Operating voltage: **2.5V~5.5V**.
- Minimal external components.
- No external filter is required.
- Low standby current (on power down mode).
- Excellent performance.
- Tristate data output for MCU interface.
- **3.58MHz** crystal or ceramic resonator.
- **1633Hz** can be inhibited by the INH pin.

## **Applications of HT9170B DTMF Receiver**

- DTMF Reception and decoding.
- Developing devices that can be controlled via a dtmf sent by a mobile.
- Mobile phone based device control.
- DIY projects with DTMF control.

Also Searched as :**dtmf receiver, dtmf receiver ic, dtmf receiver circuit, dtmf receiver working, dtmf receiver ht9170, dtmf receiver android, dtmf receiver module, dtmf transmitter and receiver, dtmf generator and receiver, what is a dtmf receiver, dtmf decoder buy, how to use dtmf receiver, ht9170 dtmf receiver.**