



PRODUCT NAME : HT12D Decoder IC 8-bit Address 4-bit Data

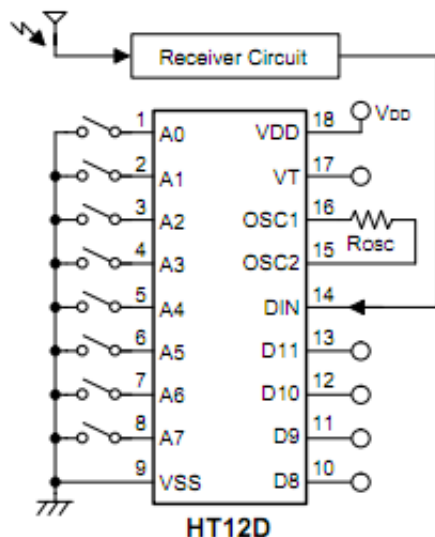
PRICE : Rs 45.00
SKU : RM0061



DESCRIPTION

The **212 decoders** are a series of CMOS LSIs for remote control system applications. They are paired with Holtek 212 series of encoders (refer to the encoder/decoder cross reference table). For proper operation, a pair of encoder/decoder with the same number of addresses and data format should be chosen. The decoders receive serial addresses and data from a programmed 212 series of encoders that are transmitted by a carrier using an RF or an IR transmission medium. They compare the serial input data three times continuously with their local addresses. If no error or unmatched codes are found, the input data codes are decoded and then transferred to the output pins. The VT pin also goes high to indicate a valid transmission. The 212 series of decoders are capable of decoding information that consists of N bits of address and 12-N bits of data. Of this series, the **HT12D Decoder IC** is arranged to provide **8 address bits and 4 data bits**, and HT12F is used to decode 12 bits of address information.

Images/Pinout of HT12D Decoder IC 8-Bit Address 4-Bit Data



Features of HT12D Decoder IC 8-Bit Address 4-Bit Data:

- Operating voltage: **2.4V~12V**.
- Low power and high noise immunity CMOS technology.
- Low standby current.
- Capable of decoding 12 bits of information.

- Binary address setting.
- Received codes are checked 3 times.
- **8 address bits and 4 data bits.**

Applications of HT12D Decoder IC 8-Bit Address 4-Bit Data:

- Burglar alarm system.
- Smoke and fire alarm system.
- Garage door controllers.
- Car door controllers.
- Car alarm system.
- Security system.
- Cordless telephones.
- Other remote control systems.

Also Searched as :**ht12d ic, ht12d encoder, ht12d circuit, ht12d encoder datasheet, ht12d encoder ic price, ht12d encoder circuit, how does ht12d work, what is ht12d encoder, ht12d pinout, ht12d decoder ic working, 8-bit address decoder ic.**