



PRODUCT NAME : MAX232 Dual EIA-232
Drivers & Receiver

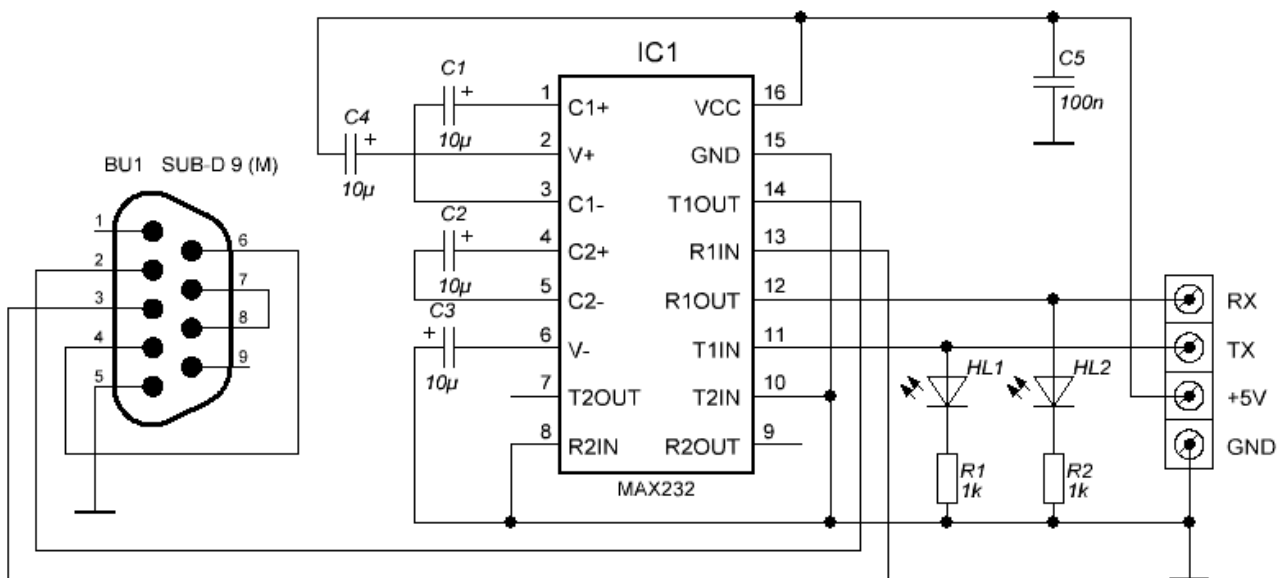
PRICE : Rs 35.00
SKU : RM0062



DESCRIPTION

The **MAX232 IC** is used to convert the TTL/CMOS logic levels to **RS232 logic** levels during serial communication of microcontrollers with PC. The MAX232 is a dual driver/receiver and typically converts the RX, TX, CTS and RTS signals. The drivers provide RS-232 voltage level outputs (approx. ± 7.5 V) from a single + 5 V supply via on-chip charge pumps and external capacitors. This makes it useful for implementing **RS-232** in devices that otherwise do not need any voltages outside the 0 V to + 5 V range, as power supply design does not need to be made more complicated just for driving the RS-232 in this case. The receivers reduce RS-232 inputs (which may be as high as ± 25 V), to standard 5 V TTL levels. These receivers have a typical threshold of 1.3 V, and a typical hysteresis of 0.5 V. The later **MAX232A** is backwards compatible with the original MAX232 but may operate at higher baud rates and can use smaller external capacitors – 0.1 μ F in place of the 1.0 μ F capacitors used with the original device.

Images/Pinout of MAX232 Dual EIA-232 Drivers & Receiver



Features of MAX232 Dual EIA-232 Drivers & Receiver:

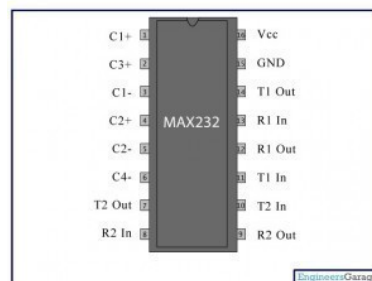
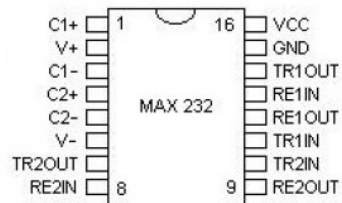
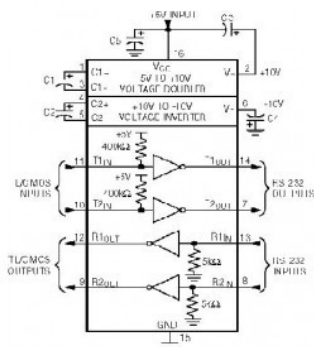
- Meets or Exceeds TIA/EIA-232-F and ITU Recommendation V.28.
- Operates From a Single 5-V Power Supply With 1.0- μ F Charge-Pump Capacitors.
- Operates up to **120 kbit/s**.
- Two Drivers and Two Receivers.
- **± 30 -V** Input Levels.
- Low Supply Current: **8 mA**.

Applications of MAX232 Dual EIA-232 Drivers & Receiver:

- Battery-Powered Systems requiring UART communication with COM port of older PC.
- Connection of Modems to microcontrollers.
- DIY projects for connecting to a COM port of a computer and various other components such as GSM module etc.

Also Searched as :max232 ic, max232 ic price, max232 circuit, max232 datasheet, how does max232 work, max232 driver, max232 pinout, eia 232 driver, dual eia-232 drivers/receivers.

ADDITIONAL IMAGES





MAX232: Construction, Operation, Types and Application