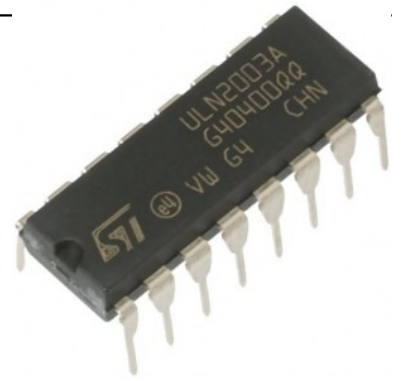




**PRODUCT NAME :** ULN2003 Linear integrated Circuit

**PRICE :** Rs 45.00

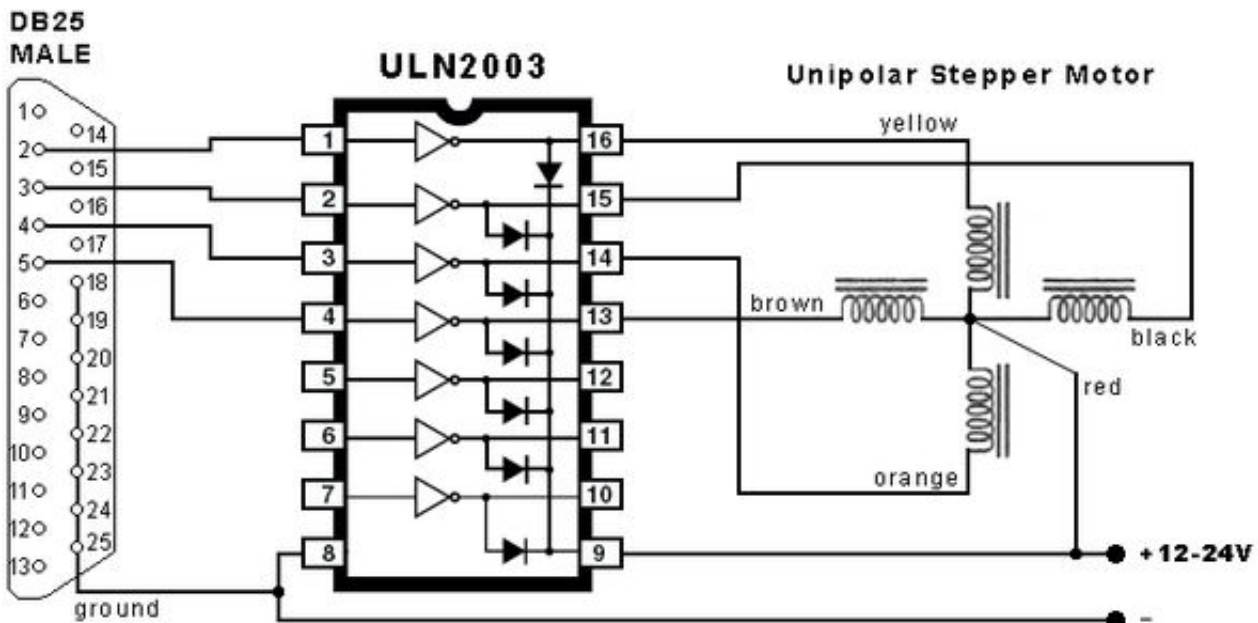
**SKU :** RM0070



## DESCRIPTION

The **ULN2003** devices are high-voltage, **high-current Darlington transistor arrays**. Each consists of seven NPN Darlington pairs that feature high-voltage outputs with common-cathode clamp diodes for Simplified Block Diagram switching inductive loads. The collector-current rating of a single Darlington pair is **500 mA**. The Darlington pairs can be paralleled for higher current capability. Applications include relay drivers, hammer drivers, lamp drivers, display drivers (LED and gas discharge), line drivers, and logic buffers.

## Images/Pinout of ULN2003 Linear Integrated Circuit



## Features of ULN2003 Linear Integrated Circuit:

- Maximum Voltage Rating: **50V**.
- Peak Current output: **500mA**.

## Applications of ULN2003 Linear Integrated Circuit:

- 500-mA-Rated Collector Current (Single Output).
- High-Voltage Outputs: **50 V**.

- Output Clamp Diodes.
- Relay-Driver Applications.
- **Motor Driver** Application.
- **Stepper Motor Driver**.
- DIY Projects needing high current drive.

Also Searched as :**uln2003 circuit,uln2003 integrated circuit,uln2003 arduino,uln2003 working,what is the use of uln2003 ic.**