



PRODUCT NAME : CC3000 WiFi Shield f
or Arduino R3 With SD Card Supp
orts MEGA 2560



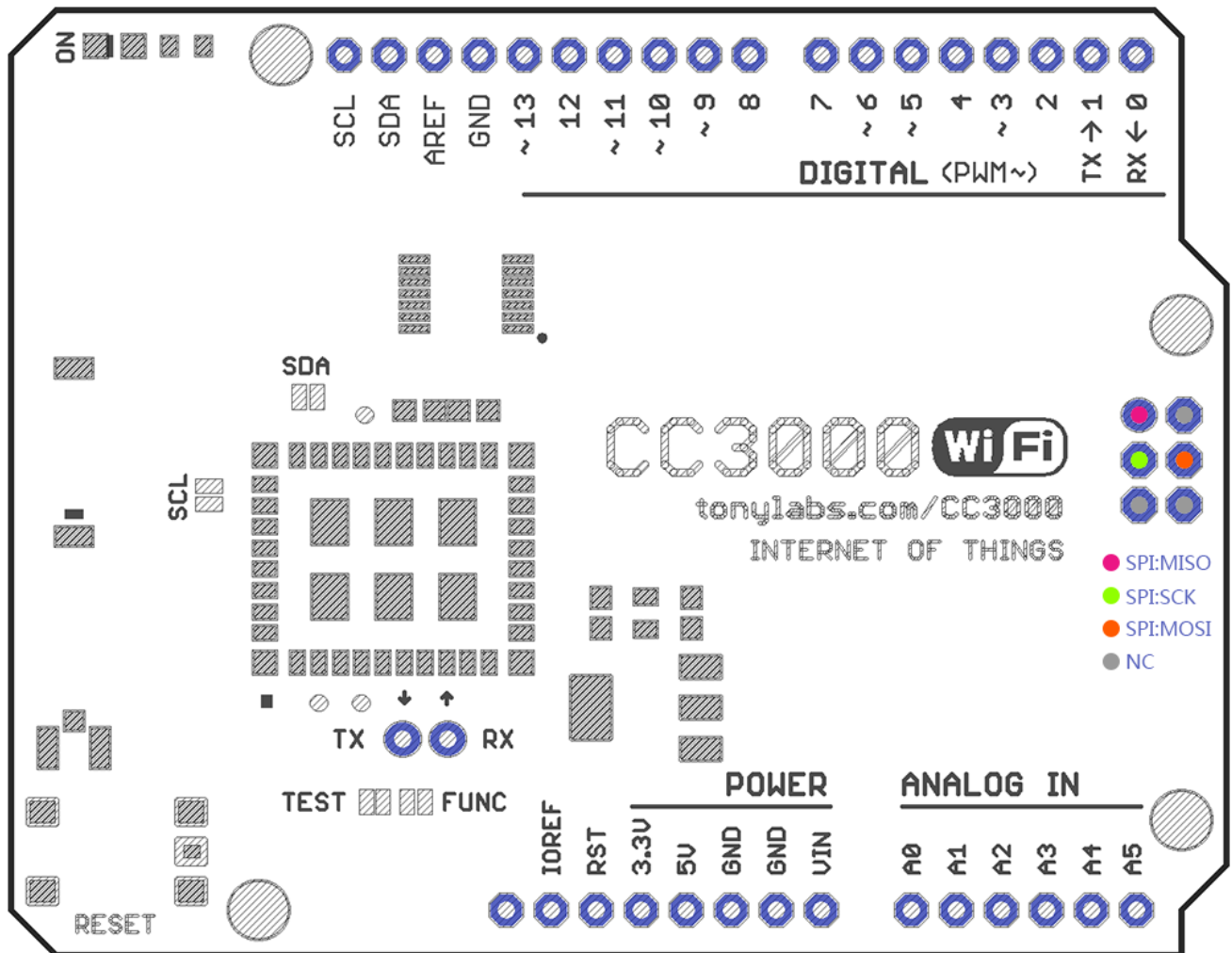
PRICE : Rs 2,500.00

SKU : RM0074

DESCRIPTION

The **CC3000** uses **SPI for communication**. You can push data as fast or slow as you want. It has an interrupt system with IRQ pin so you can have asynchronous connections. It supports **802.11b/g, open/WEP/WPA/WPA2** security, TKIP & AES. A built in TCP/IP stack with a "BSD socket" interface. TCP and UDP in both client and server mode, up to 4 concurrent sockets. It does not support "AP" mode, it can connect to an access point but it cannot be an access point.

Circuit Diagram of CC3000 WiFi Shield For Arduino R3 With SD Card Supports MEGA 2560



Features of CC3000 WiFi Shield For Arduino R3 With SD Card Supports MEGA 2560:

- PCB: military grade immersion gold process.
- CC3000: original supplier, firmware ServicePack 1.11.1.
- LDO: 3.3V LDO imported chip buck regulator.
- HEX: Texas Instrument small package.
- Reset button: High quality white SMD Tact Switch.

Applications of CC3000 WiFi Shield For Arduino R3 With SD Card Supports MEGA 2560:

- IOT based Applications.
- Remote sensor data logger.
- Replacement for **Arduino Wifi Shield**.
- Easy connectivity of microcontroller to internet.
- DIY projects for Internet based applications.

Also Searched as :**wifi shield for arduino uno,cc3000 wifi shield for arduino,wifi shield arduino mega 2560,arduino wifi shield arduino uno.**