



PRODUCT NAME : BF423 PNP High Voltage Transistor (Pack of 5)

PRICE : Rs 39.00

SKU : RM1782



NOTE: THE PRODUCT MAY BE DIFFERENT FROM IMAGE SHOWN. Copyrights by Robomart.com

DESCRIPTION

Features

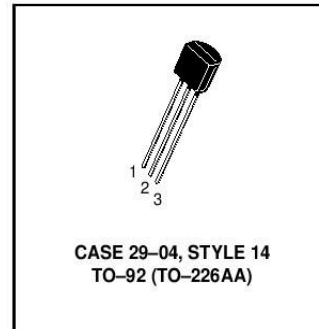
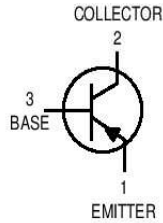
- Collector-Emitter Volt (V_{ce0}): 250V
- Collector Current (I_c): 0.5A
- h_{fe} : 50 @ 25mA
- Power Dissipation (P_{tot}): 625mW
- Current-Gain-Bandwidth (f_{total}): 60MHz
- Type: PNP

MOTOROLA
SEMICONDUCTOR TECHNICAL DATA

Order this document
 by BF421/D

High Voltage Transistors
 PNP Silicon

BF421
BF423



MAXIMUM RATINGS

Rating	Symbol	BF421	BF423	Unit
Collector-Emitter Voltage	V_{CEO}	-300	-250	Vdc
Collector-Base Voltage	V_{CBO}	-300	-250	Vdc
Emitter-Base Voltage	V_{EBO}	-5.0		Vdc
Collector Current — Continuous	I_C	-500		mAdc
Total Device Dissipation @ $T_A = 25^\circ\text{C}$ Derate above 25°C	P_D	625	5.0	mW mW/ $^\circ\text{C}$
Total Device Dissipation @ $T_C = 25^\circ\text{C}$ Derate above 25°C	P_D	1.5	12	Watts mW/ $^\circ\text{C}$
Operating and Storage Junction Temperature Range	T_J, T_{stg}	-55 to +150		$^\circ\text{C}$

THERMAL CHARACTERISTICS

Characteristic	Symbol	Max	Unit
Thermal Resistance, Junction to Ambient	$R_{\theta JA}$	200	$^\circ\text{C}/\text{W}$
Thermal Resistance, Junction to Case	$R_{\theta JC}$	83.3	$^\circ\text{C}/\text{W}$

ELECTRICAL CHARACTERISTICS ($T_A = 25^\circ\text{C}$ unless otherwise noted)

Characteristic	Symbol	Min	Max	Unit
----------------	--------	-----	-----	------

OFF CHARACTERISTICS

Collector-Emitter Breakdown Voltage ⁽¹⁾ ($I_C = -1.0 \text{ mAdc}, I_E = 0$)	BF421 BF423	$V_{(BR)CEO}$	-300 -250	— —	Vdc
Collector-Base Breakdown Voltage ($I_C = -100 \mu\text{Adc}, I_E = 0$)	BF421 BF423	$V_{(BR)CBO}$	-300 -250	— —	Vdc
Emitter-Base Breakdown Voltage ($I_E = -100 \mu\text{Adc}, I_C = 0$)	BF421 BF423	$V_{(BR)EBO}$	-5.0 -5.0	— —	Vdc
Collector Cutoff Current ($V_{CB} = -200 \text{ Vdc}, I_E = 0$)	BF421 BF423	I_{CBO}	— —	-0.01 —	μAdc
Emitter Cutoff Current ($V_{EB} = -5.0 \text{ Vdc}, I_C = 0$)	BF421 BF423	I_{EBO}	— —	-100 —	nAdc

1. Pulse Test: Pulse Width $\leq 300 \mu\text{s}$; Duty Cycle $\leq 2.0\%$.

