



**PRODUCT NAME** : BF470 PNP High Voltage Transistor

**PRICE** : Rs 49.00

**SKU** : RM1786



With this product you are purchasing a genuine component. Copyrights by Robomart.com

## DESCRIPTION

## Features

- Collector-Emitter Volt ( $V_{ce0}$ ): 250V
- Collector-Base Volt ( $V_{cbo}$ ): 250V
- Collector Current ( $I_c$ ): 0.1A
- $h_{fe}$ : 50 @ 25mA
- Power Dissipation ( $P_{tot}$ ): 1.8W
- Current-Gain-Bandwidth ( $f_{total}$ ): 90MHz
- Type: PNP

**NPN high-voltage transistors**

**BF469; BF471**

**FEATURES**

- Low feedback capacitance.

**APPLICATIONS**

- Intended for class-B video output stages in television receivers and for high-voltage IF output stages.

**DESCRIPTION**

NPN transistors in a TO-126; SOT32 plastic package.  
 PNP complements: BF470 and BF472.

**PINNING**

PIN	DESCRIPTION
1	emitter
2	collector, connected to mounting base
3	base

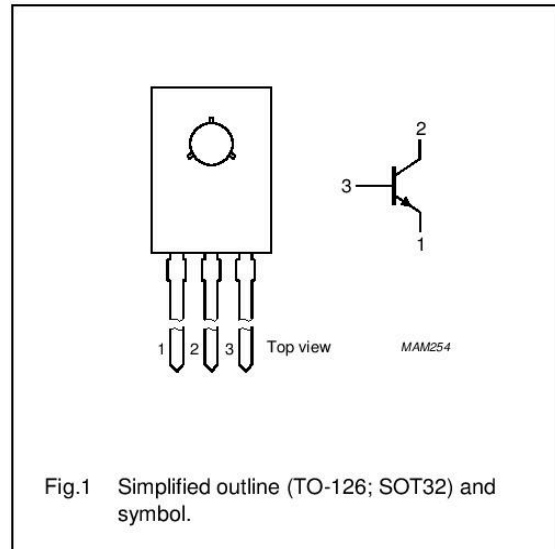


Fig.1 Simplified outline (TO-126; SOT32) and symbol.

**QUICK REFERENCE DATA**

SYMBOL	PARAMETER	CONDITIONS	MIN.	MAX.	UNIT
V <sub>CBO</sub>	collector-base voltage	open emitter			
	BF469		–	250	V
	BF471		–	300	V
V <sub>CEO</sub>	collector-emitter voltage	open base			
	BF469		–	250	V
	BF471		–	300	V
I <sub>CM</sub>	peak collector current		–	100	mA
P <sub>tot</sub>	total power dissipation	T <sub>mb</sub> ≤ 114 °C	–	1.8	W
h <sub>FE</sub>	DC current gain	I <sub>C</sub> = 25 mA; V <sub>CE</sub> = 20 V	50	–	
C <sub>re</sub>	feedback capacitance	I <sub>C</sub> = i <sub>c</sub> = 0; V <sub>CE</sub> = 30 V; f = 1 MHz	–	1.8	pF
f <sub>T</sub>	transition frequency	I <sub>C</sub> = 10 mA; V <sub>CE</sub> = 10 V; f = 100 MHz	60	–	MHz

**NPN high-voltage transistors**

**BF469; BF471**

**LIMITING VALUES**

In accordance with the Absolute Maximum Rating System (IEC 134).

SYMBOL	PARAMETER	CONDITIONS	MIN.	MAX.	UNIT
V <sub>CBO</sub>	collector-base voltage	open emitter			
	BF469		–	250	V
	BF471		–	300	V
V <sub>CEO</sub>	collector-emitter voltage	open base			
	BF469		–	250	V
	BF471		–	300	V
V <sub>EBO</sub>	emitter-base voltage	open collector	–	5	V
I <sub>C</sub>	collector current (DC)		–	50	mA
I <sub>CM</sub>	peak collector current		–	100	mA
I <sub>BM</sub>	peak base current		–	50	mA
P <sub>tot</sub>	total power dissipation	T <sub>mb</sub> ≤ 114 °C	–	1.8	W
T <sub>stg</sub>	storage temperature		–65	+150	°C
T <sub>j</sub>	junction temperature		–	150	°C
T <sub>amb</sub>	operating ambient temperature		–65	+150	°C

**THERMAL CHARACTERISTICS**

SYMBOL	PARAMETER	CONDITIONS	VALUE	UNIT
R <sub>th j-a</sub>	thermal resistance from junction to ambient	in free air; note 1	100	K/W
R <sub>th j-mb</sub>	thermal resistance from junction to mounting base		20	K/W

**Note**

1. Transistor mounted on a printed-circuit board, maximum lead length 4 mm, mounting pad for collector lead minimum 10 × 10 mm.

**CHARACTERISTICS**

T<sub>j</sub> = 25 °C unless otherwise specified.

SYMBOL	PARAMETER	CONDITIONS	MIN.	MAX.	UNIT
I <sub>CBO</sub>	collector cut-off current	I <sub>E</sub> = 0; V <sub>CB</sub> = 200 V	–	10	nA
		I <sub>E</sub> = 0; V <sub>CB</sub> = 200 V; T <sub>j</sub> = 150 °C	–	10	μA
I <sub>EBO</sub>	emitter cut-off current	I <sub>C</sub> = 0; V <sub>EB</sub> = 5 V	–	50	nA
h <sub>FE</sub>	DC current gain	I <sub>C</sub> = 25 mA; V <sub>CE</sub> = 20 V	50	–	
V <sub>CEsat</sub>	collector-emitter saturation voltage	I <sub>C</sub> = 30 mA; I <sub>B</sub> = 5 mA	–	0.6	V
C <sub>re</sub>	feedback capacitance	I <sub>C</sub> = I <sub>C</sub> = 0; V <sub>CE</sub> = 30 V; f = 1 MHz	–	1.8	pF
f <sub>T</sub>	transition frequency	I <sub>C</sub> = 10 mA; V <sub>CE</sub> = 10 V; f = 100 MHz	60	–	MHz

