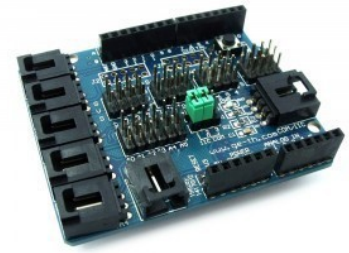




**PRODUCT NAME :** Sensor Shield Module  
for Arduino Due and Uno V4

**PRICE :** Rs 199.00

**SKU :** RM2375



## DESCRIPTION

Arduino Sensor Shield V4.0 allows you to connect to various modules like sensors, servos, relays, buttons, potentiometers. just plug & play! Each functional module has buckled port with VCC, GND and Output, which has corresponding port on the Sensor Shield, connected with a plain 2.54mm dual-female cable you may start playing already. Buckled brick cables are like cement for bricks, make the connections easier, secure and more professional looking. **Operating Voltage:** 5VDC

**Input Voltage (recommended):** 7-12VDC

**Input Voltage (limits):** 6-20VDC

**Buckled Analog Port:** Handy, solid connection to 6 Analog inputs with VCC/GND

**Digital IO port:** 13 ports prepared to digital modules or servos

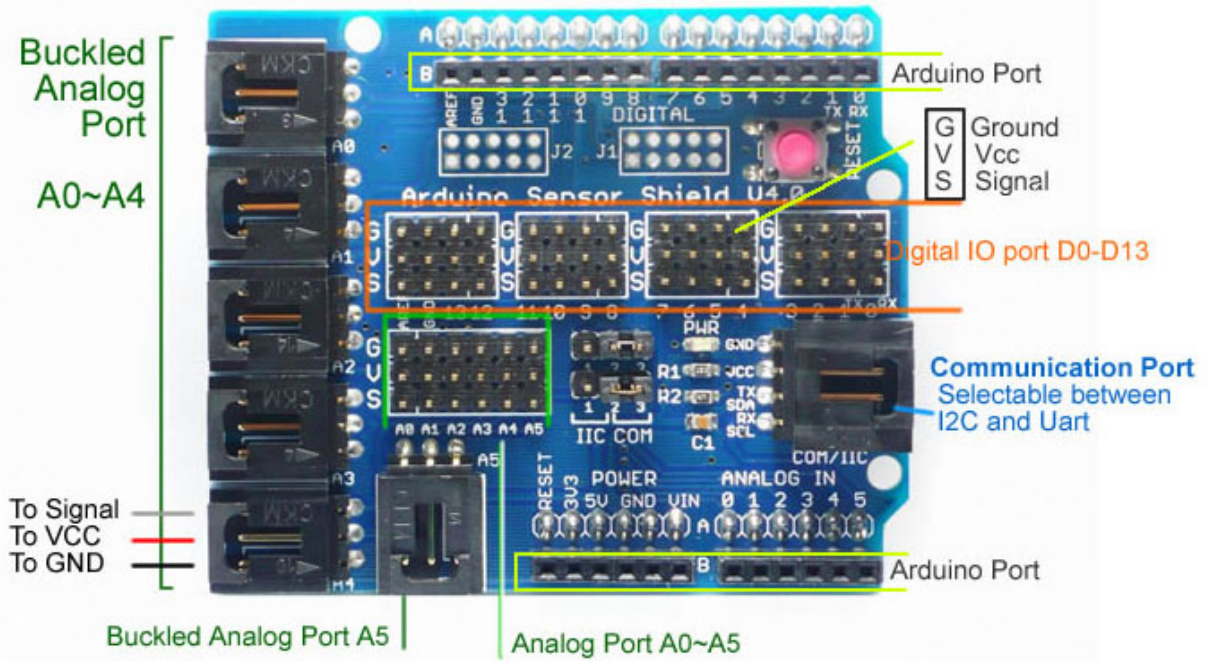
**Analog IO Port:** 2.54 grid male pin header connections

**Buckled Communication Port:** Selectable between I2C and UART

# Electronic Brick Series

Easy Reliable

- Arduino Sensor Board Explained.



- Buckled Analog Port - Easy, Solid connection with Analog input with VCC/GND.
- Buckled Communication Port - Easy communication port with I2C and Uart
- Digital IO port - Standard servo pin compatible,
- Analog IO port - 2.54 grid male pin header connections