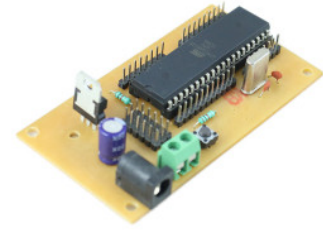




**PRODUCT NAME :** ATMEGA 16 Project Board with Controller V 2.0

**PRICE :** Rs 280.00

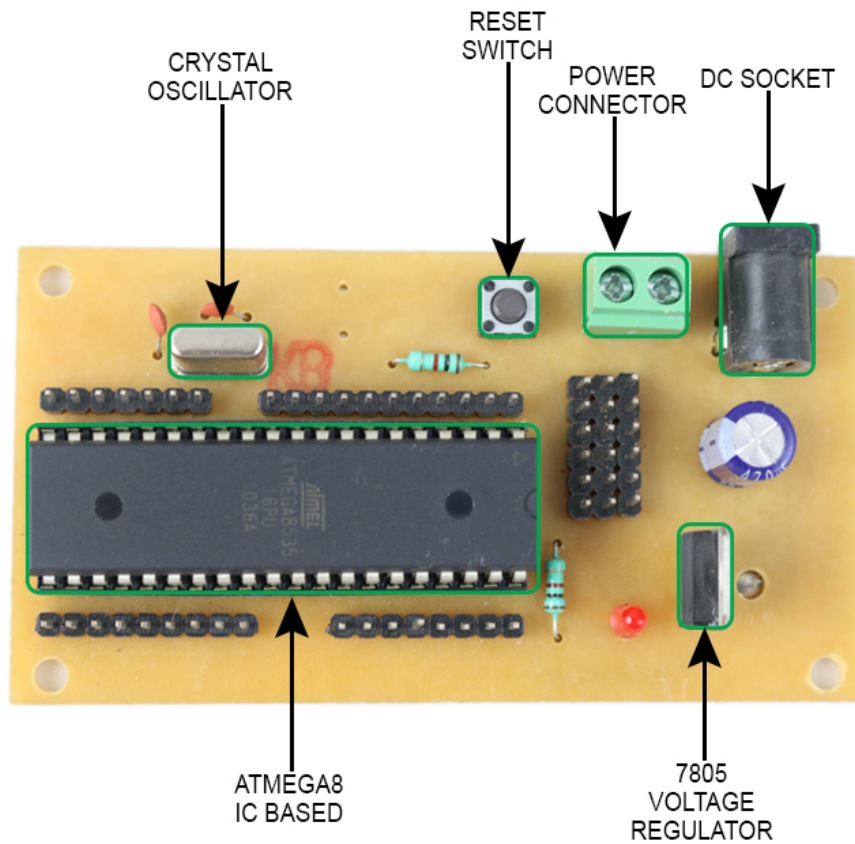
**SKU :** RM0597



ATMEGA16 PROJECT BOARD WITH CONTROLLER V2.0 V2.0 Copyrights by Robomart.com

## DESCRIPTION

Atmega-16 Project Development Board is a complete starter kit and development system for the AVR Atmega16 microcontrollers from ATMEL ® Corporation. It is designed to give designers a quick start to interface I/O peripheral devices easily.



Copyrights by Robomart.com  
**Features of ATMEGA16 Project Board With Controller V2.0:**

- Onboard ATMEGA 16 IC base.
- Onboard atmega-16 microcontroller.
- On board crystal Oscillator.
- On board Reset switch.
- On board I/O Peripheral male pins.

**Applications of ATMEGA16 Project Board With Controller V2.0:**

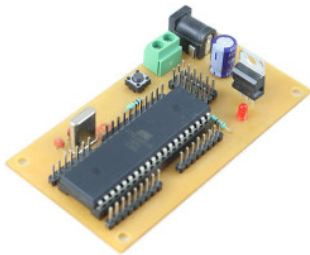
- PWM generations ( for Servos)
- Programmable Watchdog Timer
- Line following Robot

- Obstacle Avoiding Robot
- Light Searching Robot
- Edge Avoiding Robot
- Cell phone Controlled robot (DTMF Based)
- And many more...

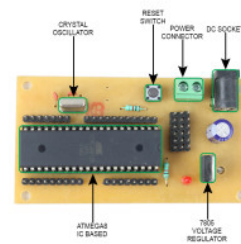
Also Searched as : **atmega16 project board, atmega16 india, atmega16 buy india, atmega16 microcontroller, atmega16 microcontroller price, atmega16 buy india, buy atmega16 online india.**

### ADDITIONAL IMAGES

**ROBOMART.com™**



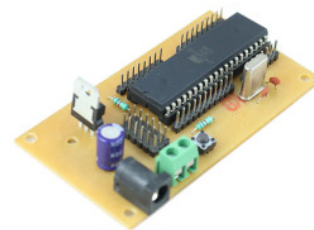
**ROBOMART.com™**



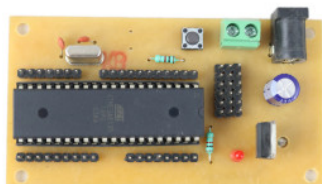
**ROBOMART.com™**



**ROBOMART.com™**



**ROBOMART.com™**



WITH THE PRODUCT MAY BE OFFER FROM MAJOR ONLINE STORES Copyrights by Robomart.com

WITH THE PRODUCT MAY BE OFFER FROM MAJOR ONLINE STORES Copyrights by Robomart.com