



**PRODUCT NAME :** ATmega-16/32 Robotics Development Board V 3.0

**PRICE :** Rs 849.00

**SKU :** RM0027

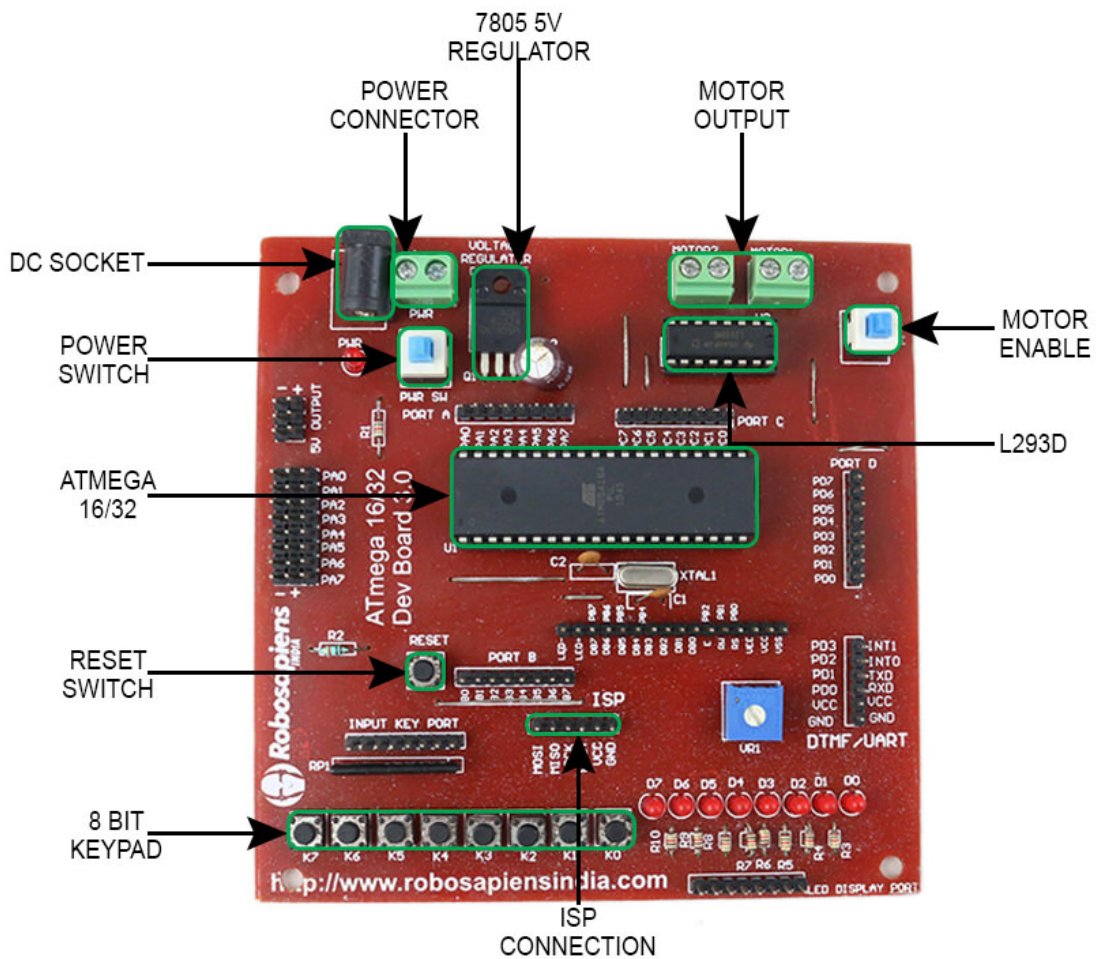


THIS IS THE PRODUCT MAY BE DIFFERENT FROM IMAGE GIVEN. Copyrights by Robomart.com

## DESCRIPTION

ATmega-16/32 Robotics Development Board Version 3 is a complete starter kit and development system for the AVR Atmega16 microcontrollers from ATMEL ® Corporation. It is designed to give designers a quick start to develop code on the AVR easily I/O peripheral interfacing.

**Product Image of ATmega-16/32 Robotics Development Board V 3.0.**



NOTE:THE PRODUCT MAY BE DIFFER FROM IMAGE GIVEN ABOVE Copyrights by Robomart.com

## Features of ATmega-16/32 Robotics Development Board V 3.0.

- 16 Kbytes of In-System Self-programmable Flash program memory.
- 512 Bytes EEPROM.
- 1 Kbyte Internal SRAM.
- Programming of Flash, EEPROM, Fuses, and Lock Bits through the JTAG Interface.
- Byte-oriented Two-wire Serial Interface.
- Programmable Serial USART.
- Master/Slave SPI Serial Interface.
- Programmable Watchdog Timer with Separate On-chip Oscillator.

- On-chip Analog Comparator.
- 32 Programmable I/O Lines.
- Operating voltage from 5.0V - 25 V.
- 1\*On board ATmega 16 Microcontroller.
- 1\*On board Switch.
- 1\*Onboard 8 key pad.
- 1\*On board L293D motor driver.
- 1\*On board dc power supply.
- Onboard ISP connection.

## **Applications of ATmega-16/32 Robotics Development Board V 3.0.**

- XBee controlled Embedded System.
- Cell phone Controlled robot (DTMF Based).
- Line following Robot.
- Obstacle Avoiding Robot.
- CAN Based accident avoidance robot.
- Clap operated robot.
- RF Based robotic car.
- Wall follower.
- Micro mouse Robot.
- Digital MP3 player.
- External Memory interfacing using I2C.
- Light Searching Robot.
- Edge Avoiding Robot.
- SMART Robo car.
- And many more.....

## **Kit Content of ATmega-16/32 Robotics Development Board V 3.0.**

- ATmega-16/32 Robotics Development Board V 3.0.

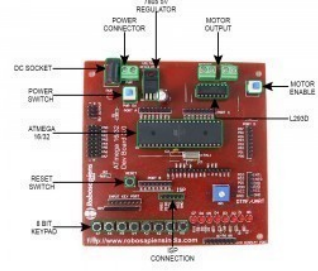
## **ADDITIONAL IMAGES**

**ROBOMART.com™**



THIS PRODUCT MAY BE DIFFER FROM IMAGE ABOVE. Copyrights by Robomart.com

**ROBOMART.com™**



**ROBOMART.com™**



NOTE: FOR PRODUCT MAY BE DIFFER FROM IMAGE DATA ABOVE. Copyrights by Robomart.com

**ROBOMART.com™**



NOTE: FOR PRODUCT MAY BE DIFFER FROM IMAGE DATA ABOVE. Copyrights by Robomart.com