



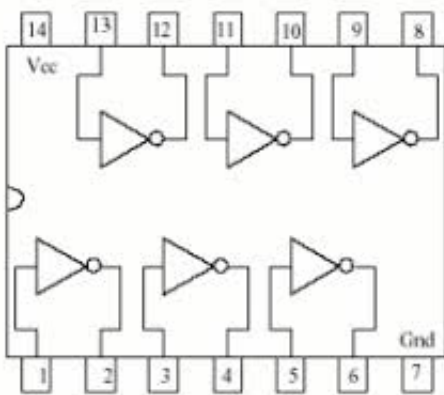
PRODUCT NAME : 74LS04 Hex Inverting Gates IC

PRICE : Rs 20.00
SKU : RM0699



DESCRIPTION

The 74LS04 is an IC which contains six independent gates each of which performs the logic INVERT function.



J SUFFIX
 CERAMIC
 CASE 632-08



N SUFFIX
 PLASTIC
 CASE 646-06



D SUFFIX
 SOIC
 CASE 751A-02

ORDERING INFORMATION

SN54LSXXJ Ceramic
 SN74LSXXN Plastic
 SN74LSXXD SOIC

GUARANTEED OPERATING RANGES

Symbol	Parameter		Min	Typ	Max	Unit
V _{CC}	Supply Voltage	54	4.5	5.0	5.5	V
		74	4.75	5.0	5.25	
T _A	Operating Ambient Temperature Range	54	-55	25	125	°C
		74	0	25	70	
I _{OH}	Output Current — High	54, 74			-0.4	mA
I _{OL}	Output Current — Low	54			4.0	mA
		74			8.0	

Features of 74LS04 Hex Inverting Gates IC:

- Supply voltage: 4.5 v – 5.5 v.
- Ambient operating temperature: -55 to 125 Degree Centigrade.

Applications of 74LS04 Hex Inverting Gates IC:

DIY projects.
 Electrical/Electronic projects.
 Consumer electronics.
 Telecommunications.
 General electronic circuits.

Also Searched as: **74ls04 ic, 74ls04 hex inverting, 74lso4 not gate, 74ls04**

datasheet, 74ls04 circuits.