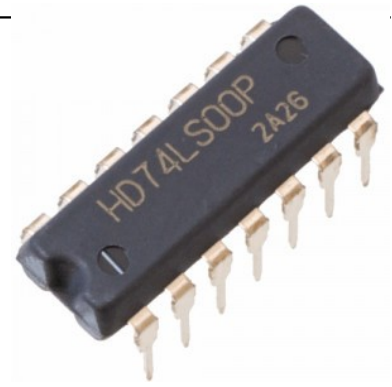




PRODUCT NAME : 74LS00 Quad 2 Input
NAND Gate

PRICE : Rs 20.00

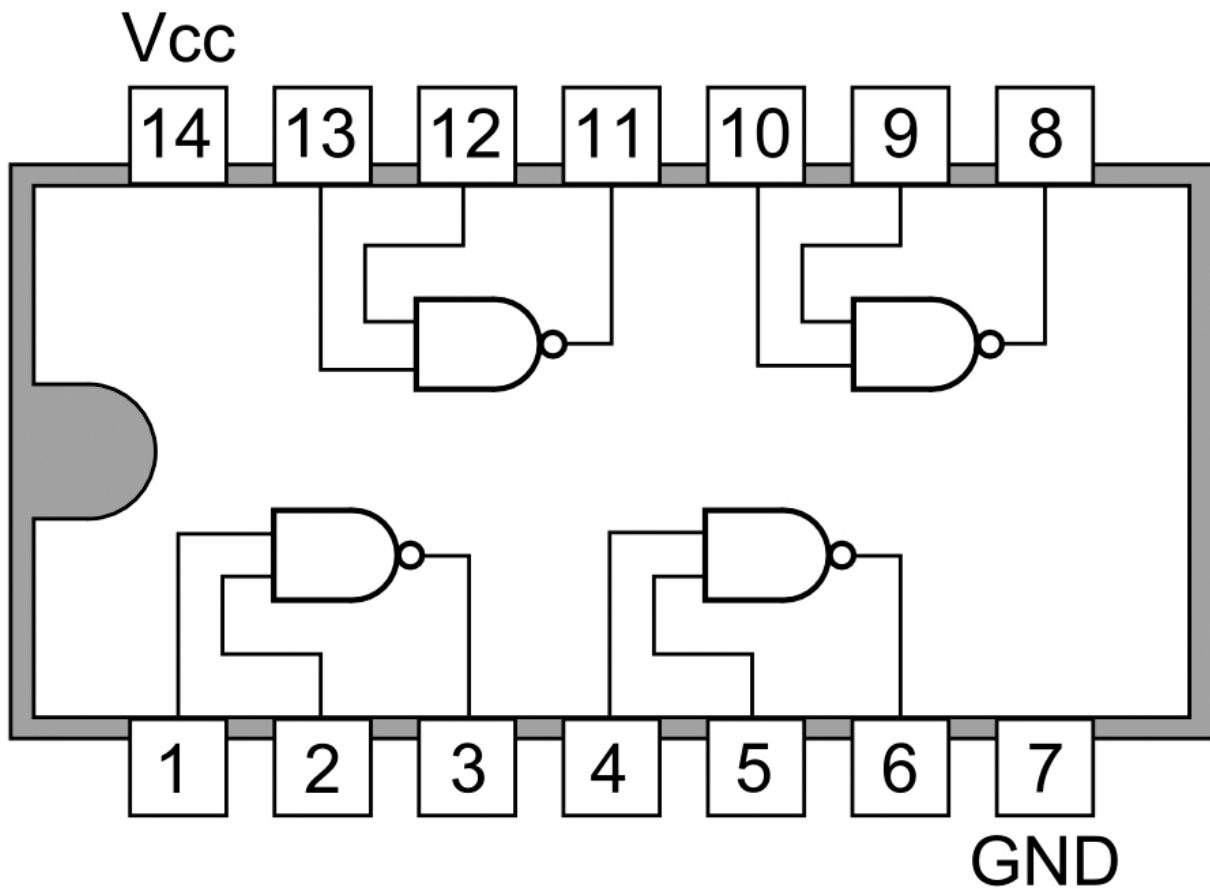
SKU : RM0001



DESCRIPTION

The **74LS00 IC** is a **Quad 2 Input NAND Gate** which is 14 pin IC used to perform NAND operation of digital data. This IC has 4 independent NAND gate with 14 no. pin Vcc and 7 no. pin Gnd, pin no. 1 & 2 input and pin no. 3 is output, pin no. 4 & 5 input and 6 is output, 8 & 9 input & 10 is output, 11 & 12 input where as 13 is output. The **74LS00 IC is a dual-in-line package** Universal gate. This IC used to design electronic projects, in different electronic circuits and other gates, because it is a universal gate. The 74ls04 IC can be soldered with PCB or can be connected through 14 pin IC base.

Pin Diagram of 74LS00 Quad 2 Input NAND Gate.



Features of 74LS00 Quad 2 Input NAND Gate

- Supply Voltage Max : 5.25 V
- Input Voltage : 2-5 V
- Output Current : 8 mA
- Operating Temperature : 0 ~ 70 °C

Applications of 74LS00 Quad 2 Input NAND Gate

- In microprocessor.
- In microcontroller.
- In electronics major & mini projects.
- In calculator.

- In DIY kits.

Also Searched as : **74ls00 ic datasheet, 74ls00 price, 74ls00 quad nand gate, 74ls00 quad 2-input nand gate, quad 2 input nand gate, 74ls00 price in india, 74ls00 ic dadasheet pdf, 74ls00 circuit, 74ls00 quad 2 input nand, ic 74ls00.**

ADDITIONAL IMAGES

