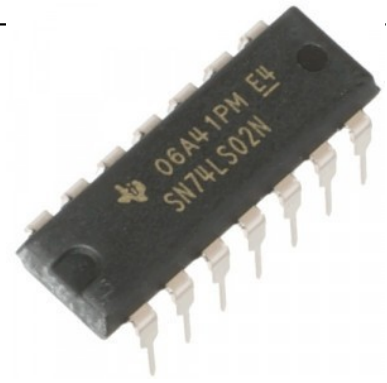




**PRODUCT NAME** : 74LS02 Quad 2-Input NOR Gate

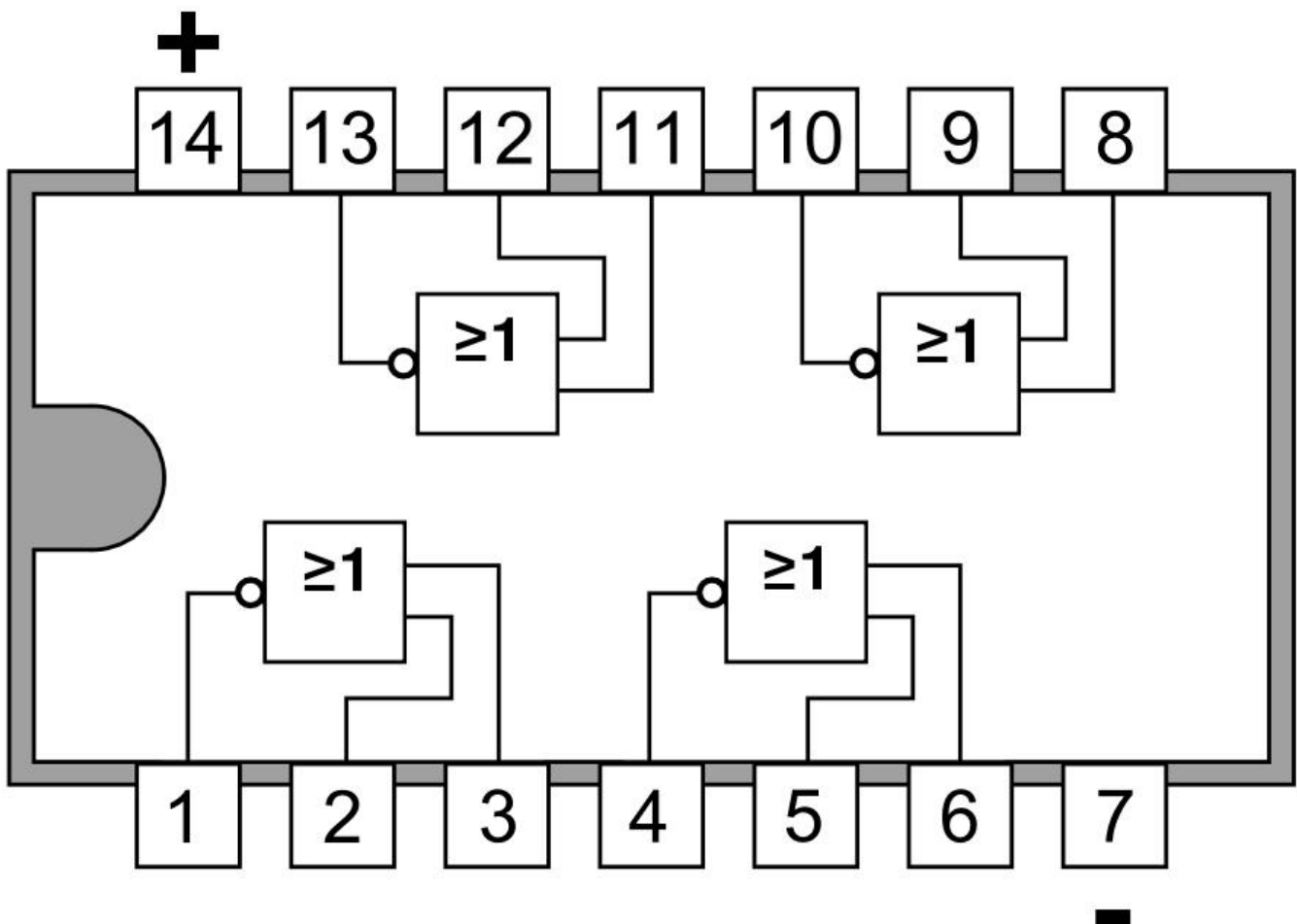
**PRICE** : Rs 25.00  
**SKU** : RM0004



### DESCRIPTION

The **74LS02 Quad 2-Input NOR Gate** is a 14 pin IC which contains four independent gates each of which performs the logic NOR function. The IC is a **dual in - line package** whose 14 & 7 no. pin is vcc&gnd, 2 & 3 in and 1 out, 5 & 6 in and 4 out, 8 9 in and 10 out, 11 & 12 in and 13 is out. The package may be through-hole mounted to a printed circuit board or inserted in a socket. Because of DIP package the device is able to perform ideally even at 70 °C.

### Pin Diagram of 74LS02 Quad 2-Input NOR Gate



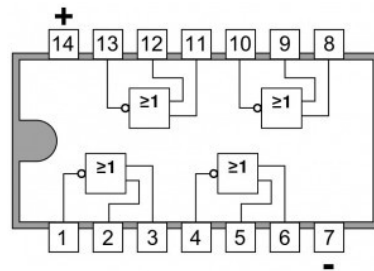
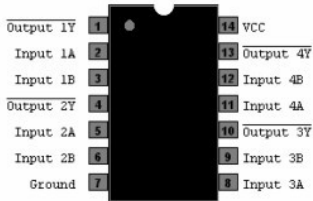
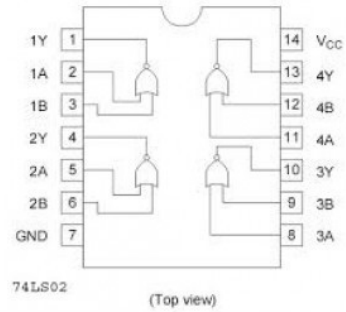
### Features of 74LS02 Quad 2-Input NOR Gate

- Supply Voltage : 5.25 V.

- High-Level Input Voltage : 2 V.
- Low-Level input Voltage : 0.8 V.
- Operating Temperature : 0 ~ 70 °C.

Also searched as: **74ls02**, **ic 74ls02**, **74ls02 pdf**, **74ls02 price**.

**ADDITIONAL IMAGES**



**Connection Diagram**

