



PRODUCT NAME : 74LS12 Triple 3-Input Positive NAND Gates With Collector Outputs

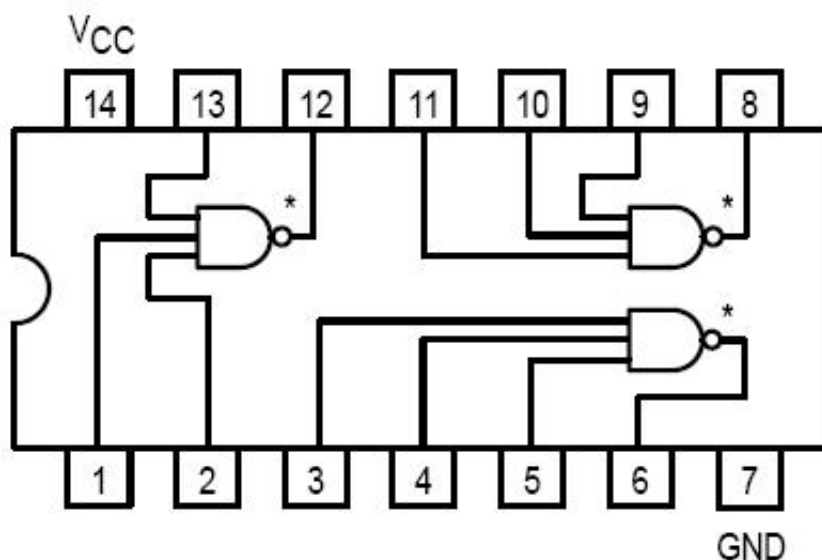
PRICE : Rs 35.00
SKU : RM0045



DESCRIPTION

The 74LS12 Triple 3-Input Positive NAND Gates With Collector Outputs contains three 3 input independent gates each of which performs the positive logic NAND function. 74LS12 IC can be soldered directly to the circuit board or can be mounted on a 14 pin IC base. 74LS12 Triple 3-Input Positive NAND Gates With Collector Outputs circuit is designed such that the operation produced on the inputs of pin are (1&2&3&4 NAND 10&11&12&13) is produced on the pin 8 . Operating supply voltages to the IC can vary between 4.5V to 5V and to a maximum of 5.5V and the input logic levels to the device in '0' (LOW) state is max. 0.7V and for '1' (HIGH) state is min 2V.

Images/Pinout of 74LS12 Triple 3-Input Positive NAND Gates With Collector Outputs



Features of 74LS12 Triple 3-Input Positive NAND Gates With Collector Outputs:

- Operating Voltage Range 4.75V to 5V up to a maximum of 5.5V.
- Operating Temperature range : -55°C to +125°C.
- VH (Output High): 2.7V to 3.4V.

- VL (Output Low): 0.36V to 0.5V.
- Power Consumption: 3.3mA to 3.8mA.
- Operating Speed (Mhz):125 – 250.

Applications of 74LS12 Triple 3-Input Positive NAND Gates With Collector Outputs:

- Logical Decision making.
- Circuits involving conditional operations.
- DIY projects for various logic gates based applications

ADDITIONAL IMAGES

