



PRODUCT NAME : 74LS161 Synchronous
4-Bit Counter

PRICE : Rs 55.00

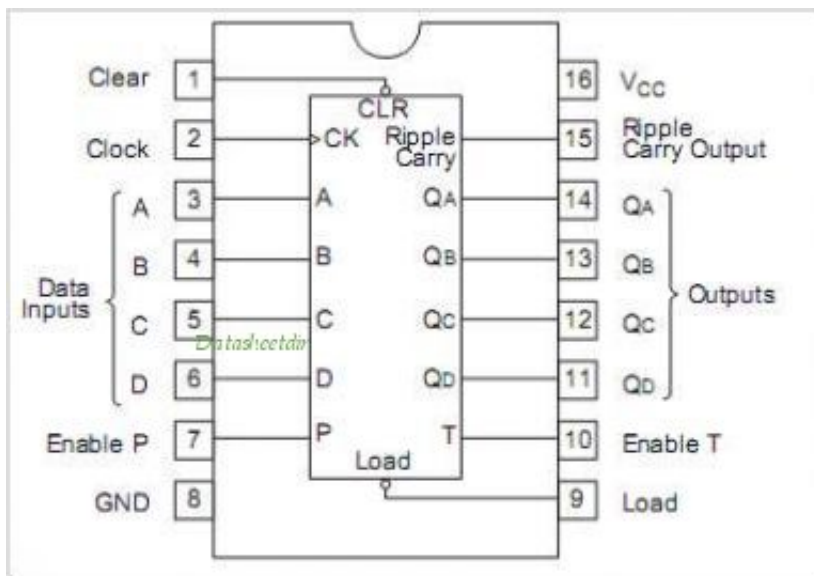
SKU : RM0049



DESCRIPTION

74LS161 Synchronous 4-Bit Counter contains high-speed 4-bit synchronous counters. They are edge-triggered, synchronously presettable, and cascadable MSI building blocks for counting, memory addressing, frequency division and other applications. 74LS161 IC can be soldered directly to the circuit board or can be mounted on a 14 pin IC base. Operating supply voltages to the IC can vary between 4.5V to 5V and to a maximum of 5.5V and the input logic levels to the device in '0' (LOW) state is max. 0.7V and for '1' (HIGH) state is min 2V.

Images/Pinout of 74LS161 Synchronous 4-Bit Counter



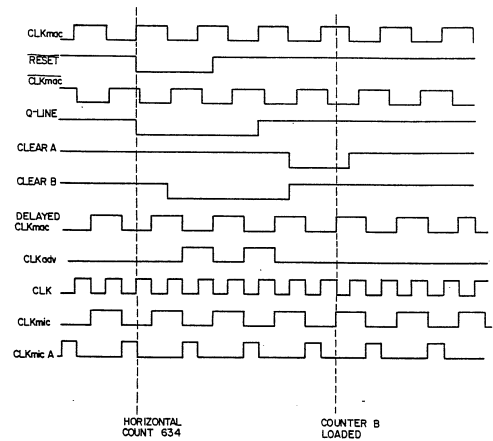


FIG. 3A

Features of 74LS161 Synchronous 4-Bit Counter:

- Operating Voltage Range 4.5V to 5V up to a maximum of 5.5V.
- Operating Temperature range : -55°C to +125°C.
- VH (Output High): 2.7V to 3.4V.
- VL (Output Low): 0.36V to 0.5V.
- Power Consumption: 31mA to 32mA.
- Operating Speed (Mhz):600-800.

Applications of 74LS161 Synchronous 4-Bit Counter:

- Logical Decision making.
- Circuits involving conditional operations.
- DIY projects for various logic gates based applications